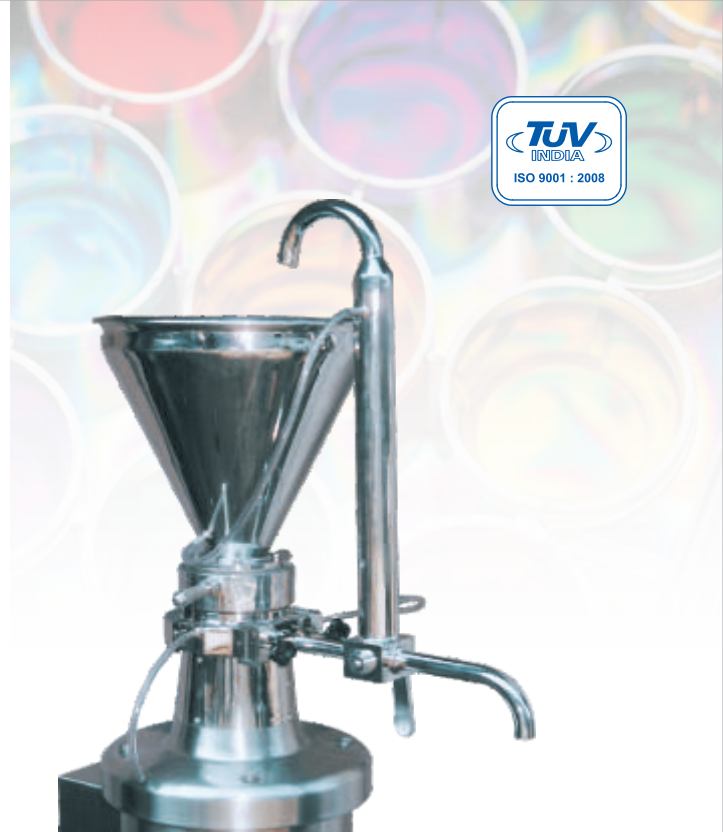


Colloid Mill



◀ Rotor - Stator Assembly

GMP / Water Jacketed Model ▶

Operation

Product fed into the operating area by means of specially designed feeding device is subjected to high shearing, cutting and rubbing forces between stator and rotor. Due to conical arrangement and the centrifugal effect of the rotor rotating at a high speed (2800 RPM), the material is forced in to the next tooth stage. The tooth vibrations which subject the particles with high degree of forces. Intence whirling multiples the grinding and mixing effect. Due to the slightly deviating tapering of the milling surface of the stator and rotor, the angular gap becomes narrower towards the discharge section. The processed material continuously leave the mill through the drain pipe, if required it can be re-circulated.



Model Available

Standard Model : Plain

Standard Model : Water Jacketed

GMP Model : Plain

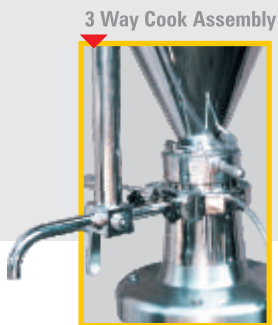
GMP Model : Water Jacketed

* Model as per Motor 3HP / 5HP / 20HP

◀ Standard Model

Special Features

- All contact parts are made out of SS304 / SS316 / SS316 L quality material.
- Coupling provided between motor shaft and rotor for the ease in maintenance.
- Special sealing arrangement between the motor and the processing chamber to prevent liquid going in side the motor winding, resulting in the burning of the motor.
- Modified design of semi concave teeth in rotor & stator gives better performance in size reduction without damaging the product.
- 3 way cock system for draining and re-circulation of liquids & discharge spout for viscous products provided as a standard.
- DOL starter with overload relay for protection against single phasing and low voltage.
- Contact parts can be easily dismantled for cleaning.
- Flame proof construction provided on demand.(On extra cost)

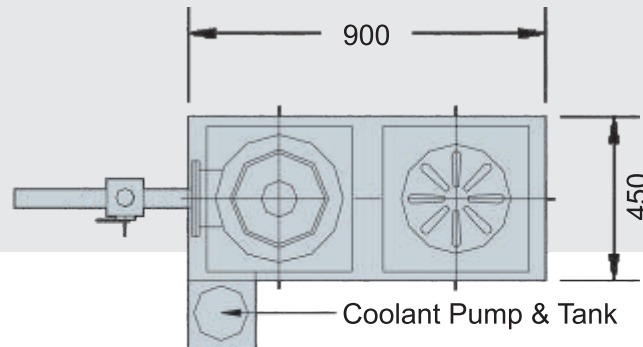


3 Way Cook Assembly



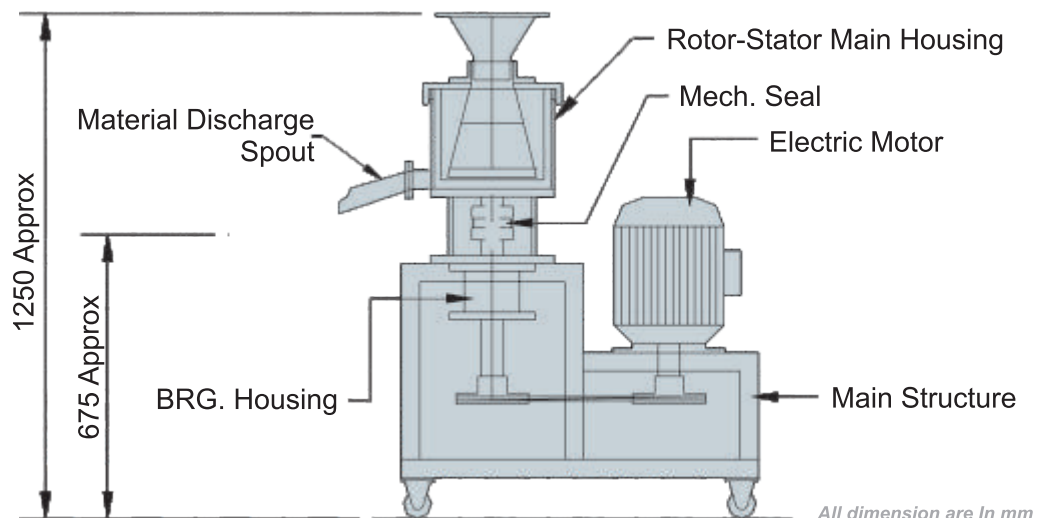
Spout Assembly

3 HP Colloid Mill



20 HP Colloid Mill

20 HP COLLOID MILL LINE DIAGRAM



All dimension are In mm

